

MOUNTING HOLE DIMENSIONS						
CASE SIZE	DIMENSION — INCHES					
BTO	C	J	L	M	O	P
2	.75	5.9	6.50	13.00	4.00	8.00
3	.75	7.4	6.50	13.00	4.00	8.00
4	.88	8.8	8.25	16.50	5.00	10.00

TABLE 1

DESIGN LOADS			
CASE SIZE	DOWNWARD LOAD (LBS.)	BENDING (IN. LBS.)	TORSIONAL (IN. LBS.)
2	620	7,500	5,110
3	1,015	17,650	8,450
4	1,510	34,500	14,350

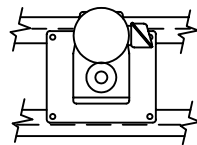
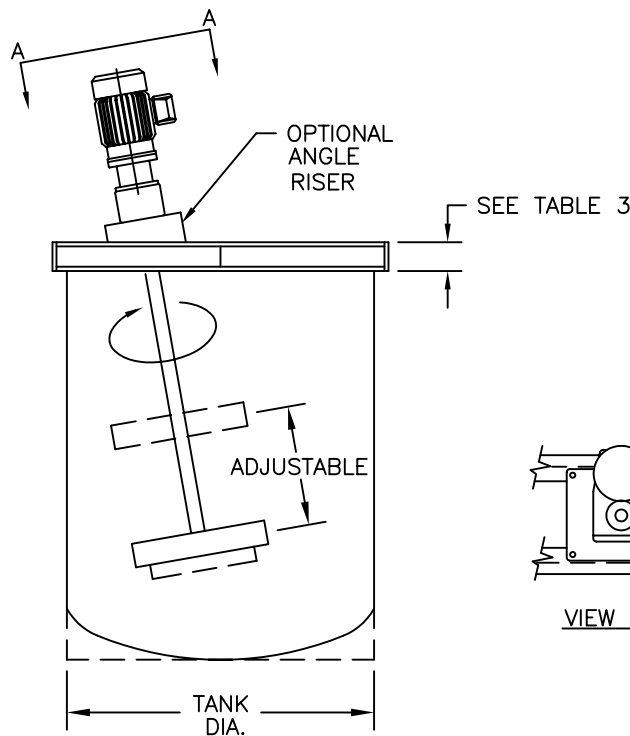
TABLE 2

TYPICAL MOUNTING BEAM SIZES			
CASE SIZE	TANK DIAMETER OR BEAM SPAN		
BTO	UP TO 10'	OVER 10' UP TO 15'	OVER 15' UP TO 20'
2	M4 x 13	M6 x 20	W8 x 24
3	W5 x 16	W8 x 18	W8 x 28
4	W5 x 16	W8 x 18	W8 x 35

TABLE 3

TANK DIA.	"X"	"Y"
65"	17"	9.75"
68"	18"	10.25"
72"	18.75"	10.75"
75"	19.5"	11.25"
79"	20.25"	11.75"
82"	21.25"	12.25"
88"	22.25"	12.75"
89"	23"	13.25"
92"	24"	13.75"
96"	24.75"	14.25"
99"	26.75"	14.75"
103"	28.5"	15.25"
107"	29.25"	16.25"
111"	30"	17.25"
117"	31.75"	18.25"
124"	33.5"	19.25"
130"	35.25"	20.25"
137"	37"	21.25"
143"	38.75"	22.25"
146"	40.5"	23.25"
149"	42.5"	24.25"
155"	44"	25.25"
161"	45.5"	25.5"
167"	47.5"	27.5"
171"	49"	28.5"
176"	50.75"	29.5"
179"	52.5"	30.5"
187"	56"	32.5"
196"	59.5"	34.5"
207"	63"	36.5"
219"	66.5"	38.5"
230"	70"	40.5"

TABLE 4



NOTES:

1. TYPICAL SUPPORT STRUCTURE IS CONSTRUCTED OF TWO STEEL BEAMS WITH LATERAL AND END BRACING
2. CONTINUOUS WELDS ARE PREFERRED OVER SKIP WELDS WHEN INSTALLING LATERAL AND END BRACING.
3. WARRANTY APPLIES ONLY TO ITEMS FURNISHED BY BRAUN MIXER, INC. ALL OTHER EQUIPMENT AND DESIGNS ARE THE RESPONSIBILITY OF OTHERS. BRAUN MIXER, INC. DOES NOT WARRANT, GUARANTEE, OR ASSUME ANY RESPONSIBILITY FOR THE DESIGN OR CONSTRUCTION OF THE MOUNTING STRUCTURE FOR THE MIXER.
4. DESIGN LOADS ARE GREATER THAN ACTUAL LOADS BY A SUITABLE FACTOR TO PROVIDE FOR ADEQUATE DESIGN OF MIXER MOUNTING STRUCTURE.

ANGULAR OFF-SET MOUNTING  
(SEE TABLE 4 FOR DIMENSIONS X & Y)

ALL EQUIPMENT DESIGN AND APPLICATION DATA SHOWN HEREIN IS CONFIDENTIAL AND THE PROPERTY OF BRAUN MIXER, INC. NO USE OR DISCLOSURE THEREOF MAY BE MADE WITHOUT OUR WRITTEN PERMISSION.

FILE NO. SDB104B DATE 3-31-97 ©1997

**BRAUN MIXER, INC.**

MIXER MODEL

**BTO ANGLE MOUNT**

DIMENSION AND ASSEMBLY DRAWING