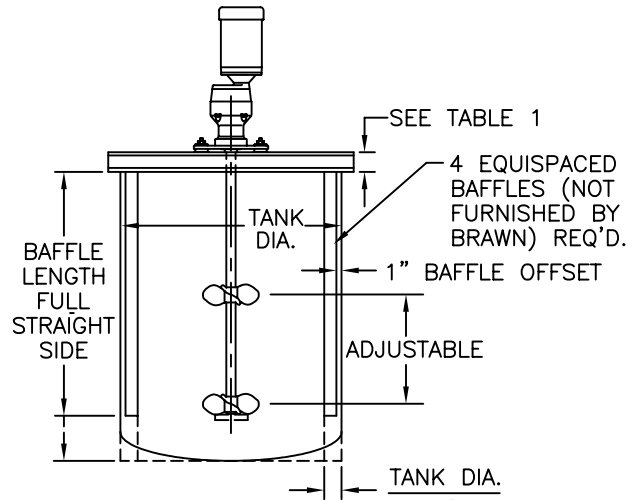
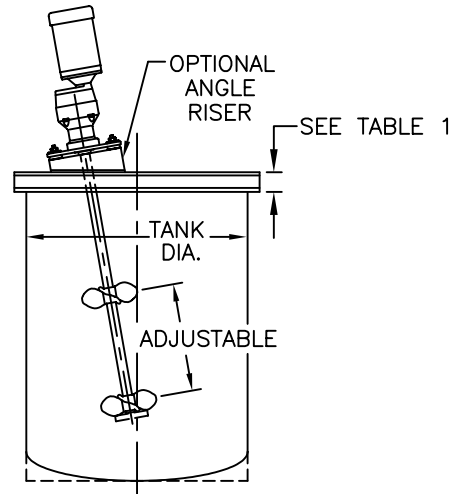


MIXER MODEL BDF/BGMF	DESIGN LOADS			RECOMMENDED CHANNEL SIZE	
	DOWNWARD LOAD (LBS.)	BENDING (IN. LBS.)	TORSIONAL (IN. LBS.)	BEAM SPAN UP TO AND INCL.	
				96"	144"
33	230	4,300	150	C4 x 7.25#	C6 x 8.2#
50	245	4,300	200		
75	260	4,300	300		
100	275	4,300	400		
150	360	7,500	600		
200	380	7,500	800		
300	400	8,700	1,200		
500	420	8,700	2,000		

TABLE 1



VERTICAL ON CENTER MOUNTING



ANGULAR OFF-SET MOUNTING  
(SEE TABLE 2 FOR DIMENSIONS)

TANK DIA.	"X"	"Y"	TANK DIA.	"X"	"Y"
30"	9"	5"	81"	28.5"	16.5"
33"	10"	5.5"	84"	29.5"	17"
36"	11"	6"	90"	31.5"	18"
39"	11.5"	6.5"	93"	32.5"	18.5"
42"	13.5"	7"	96"	34"	19.5"
45"	14.5"	7.5"	99"	35"	20"
48"	15.5"	8.75"	102"	36"	20.5"
51"	17"	9.5"	105"	37"	21"
54"	18"	10"	108"	38.5"	22"
57"	19"	10.5"	111"	39.5"	22.5"
60"	20"	11"	114"	40.5"	23"
63"	21.5"	12"	117"	42"	24"
66"	22.5"	12.5"	120"	43"	24.5"
69"	23.5"	13"	126"	45.5"	26"
72"	25"	14"	132"	47.5"	27"
75"	26"	14.75"	138"	50"	28.5"
78"	27"	15.5"	144"	52"	30"

TABLE 2

NOTES:

1. WARRANTY APPLIES ONLY TO ITEMS FURNISHED BY BRAWN MIXER, INC. ALL OTHER EQUIPMENT AND DESIGNS ARE THE RESPONSIBILITY OF OTHERS. BRAWN MIXER, INC. DOES NOT WARRANT, GUARANTEE, OR ASSUME ANY RESPONSIBILITY FOR THE DESIGN OR CONSTRUCTION OF THE MOUNTING THE MIXER.
2. DESIGN LOADS ARE GREATER THAN ACTUAL LOADS BY A SUITABLE FACTOR TO PROVIDE FOR ADEQUATE DESIGN OF MIXER MOUNTING STRUCTURE.
3. ROUND TANKS REQUIRE BAFFLES AS SHOWN UNLESS OTHERWISE INSTRUCTED BY BRAWN MIXER, INC.

ALL EQUIPMENT DESIGN AND APPLICATION DATA SHOWN HEREIN IS CONFIDENTIAL AND THE PROPERTY OF BRAWN MIXER, INC. NO USE OR DISCLOSURE THEREOF MAY BE MADE WITHOUT OUR WRITTEN PERMISSION.

FILE NO. SDB103C DATE 6-3-98 ©1998

**BRAWN MIXER, INC.**

MIXER MODEL

**BDF & BGMF MOUNTING**

DIMENSION AND ASSEMBLY DRAWING