

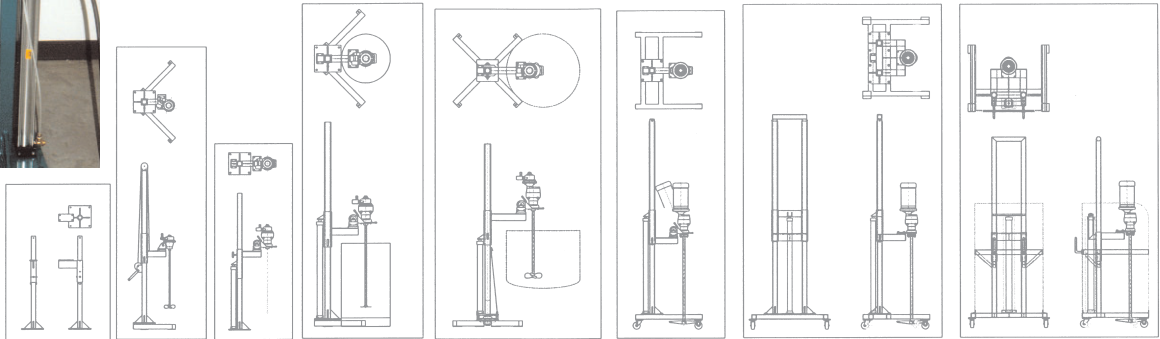
BRAWN[™] CUSTOM LIFT STANDS

MIXER, INC.

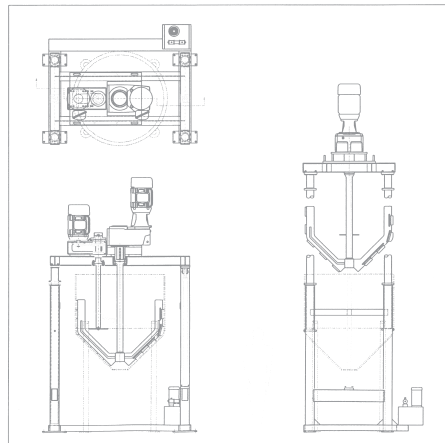
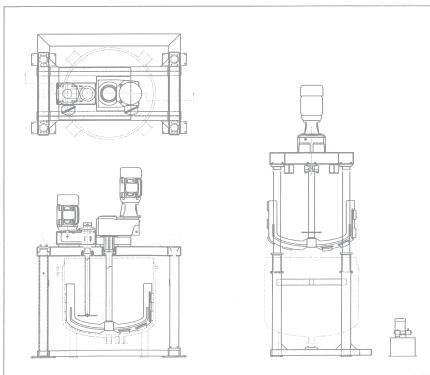


Provide Increased flexibility For Your Process Solutions.

- Ease of Process Changeover
- Facilitate System Washdown and Cleaning
- Portable Lift Designs Allow for Process Mobility
- Safe Operator Handling of Mixing Equipment



BRAWN does more than just build mixers...they provide **SOLUTIONS.**



Partial List of Available Features and Options.

- Heavy duty casters for roll-about portability
- Manual, mechanical, pneumatic, or hydraulic lifts
- All stainless steel construction for sanitary or highly corrosive environments
- Process Contamination Shields

MIX & MATCH



Call your **BRAWN** factory representative today to find out how you can get a customized solution.